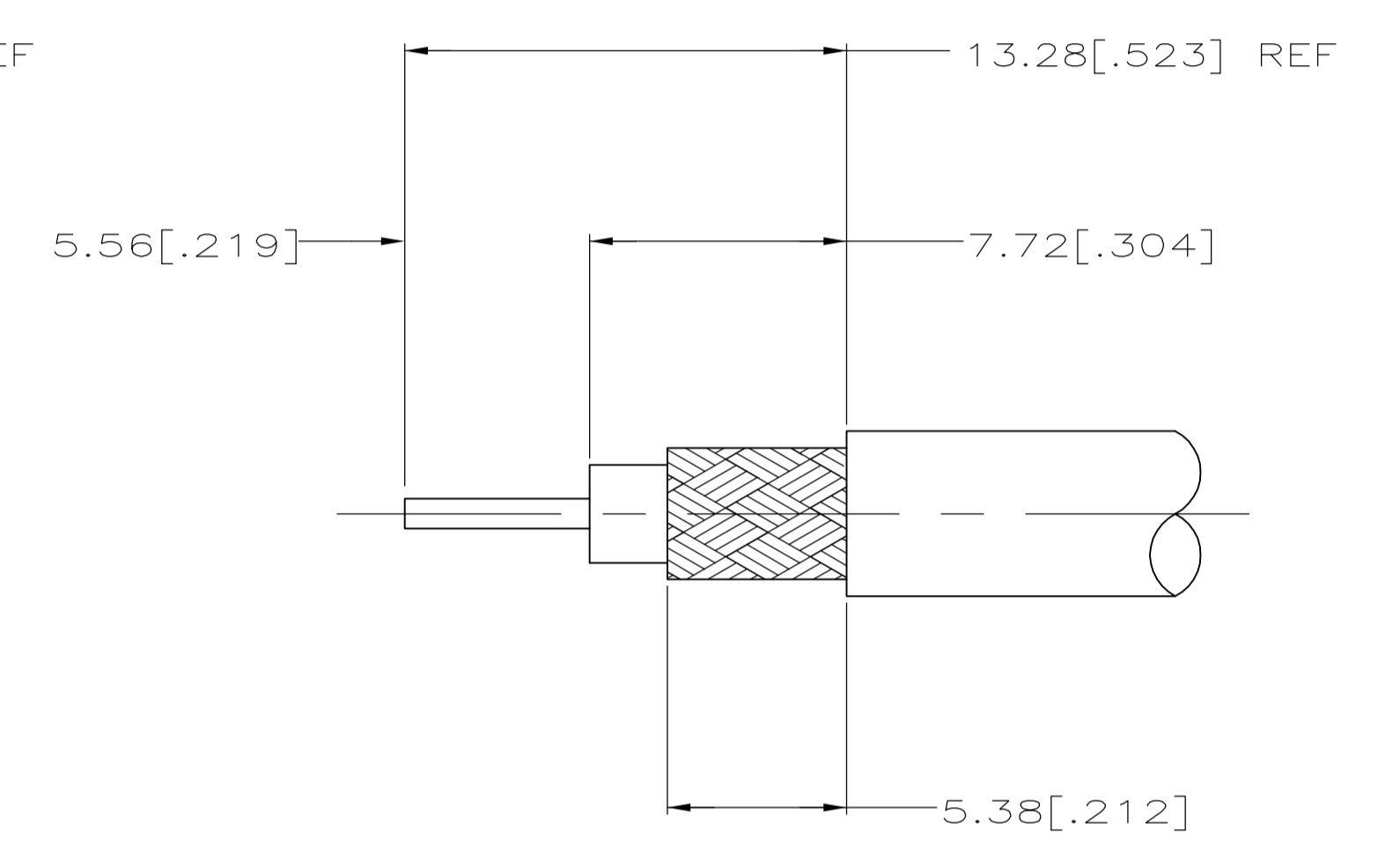
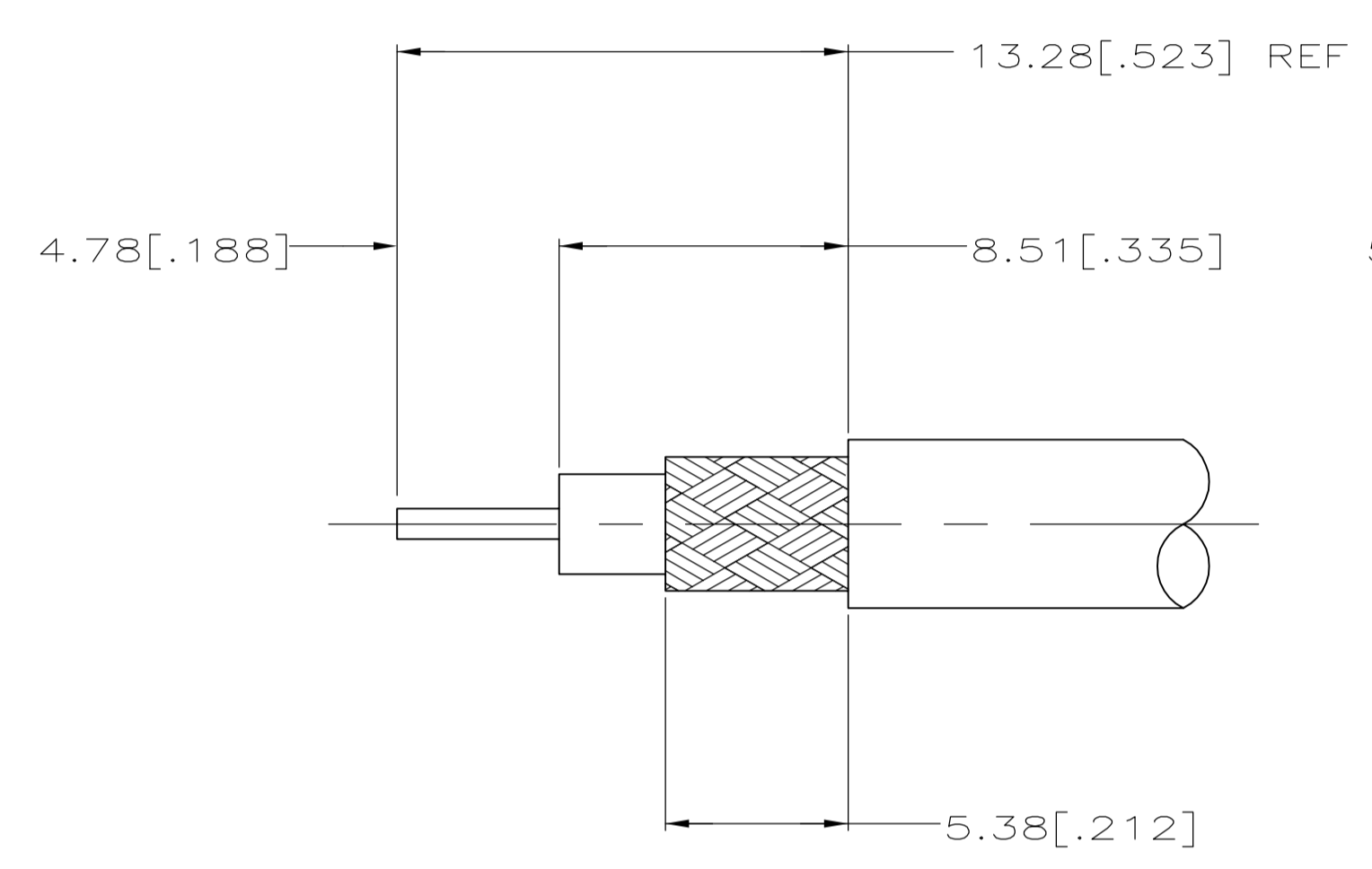
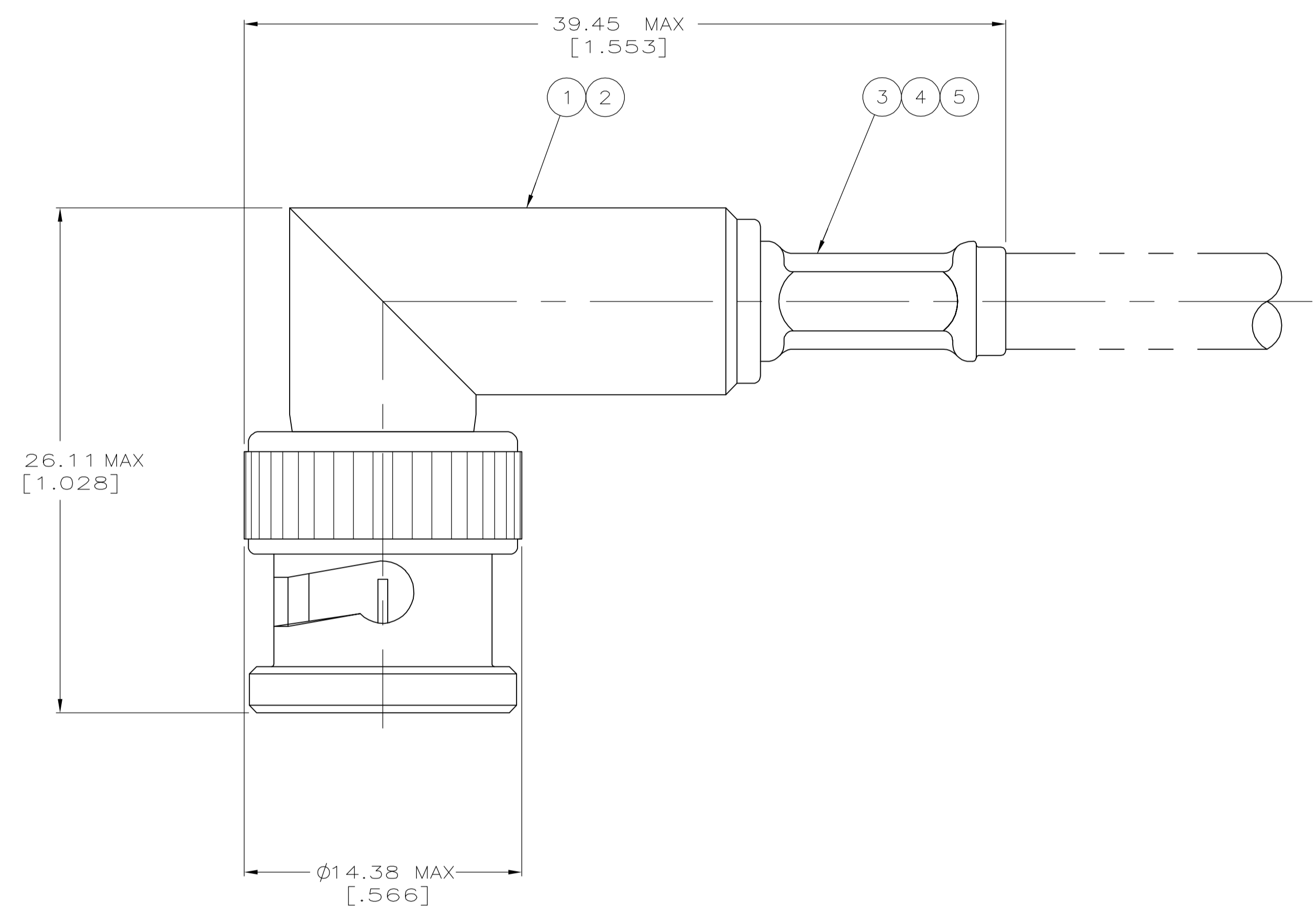


- ① USE WITH HAND TOOL 220190-1
- ② CABLE USED WITHOUT SPACER.
- ③ CABLE USED WITH SPACER.
- ④ BULK PACKAGE
- 5. SEE I.S. SHEET 9778



VIEW A

VIEW B

RECOMMENDED STRIP LENGTH

SUPERSEDED BY 5413959-3	RG-174/U,188/U & 316/U	A	1.73 [.068]	4.52 [.178]	58465-3	-	227194-1	9-413658-0	1-413774-5	9-413960-1	9-413959-1
SUPERSEDED BY 5413959-1	RG-58/U & BELDEN 88240	A	1.73 [.068]	5.41 [.213]	58465-1	-	-	9-221132-0	413774-5	9-413960-0	9-413959-0
	BELDEN YR15492	A	1.73 [.068]	5.41 [.213]	58465-1	-	-	8-221132-9	413774-5	413960-1	413959-8
OBSOLETE ④	RG-316/U, TYPE DOUBLE BRAID	A	1.73 [.068]	4.52 [.178]	58465-3	-	227194-1	9-413658-2	1-413774-5	413960-3	413959-7
OBSOLETE	RG-141/U,BELDEN 9907 & 89907	A	1.73 [.068]	5.41 [.213]	58465-1	-	-	9-221132-0	2-413774-5	413960-1	413959-6
OBSOLETE	RG-180/U & 195/U	A	1.73 [.068]	4.52 [.178]	58465-3	-	-	9-413658-1	2-413774-0	413960-3	413959-5
OBSOLETE	RG-179/U & 187/U	A	1.73 [.068]	4.52 [.178]	58465-3	-	227194-1	9-413658-0	2-413774-0	413960-3	413959-4
	RG-174/U,188/U & 316/U	A	1.73 [.068]	4.52 [.178]	58465-3	-	227194-1	9-413658-0	1-413774-5	413960-3	413959-3
	RG-62/U	B									
OBSOLETE ③	RG-59/U & BELDEN 88241	A	1.73 [.068]	6.48 [.255]	58465-1	227423-1	-	9-221132-1	1-413774-0	413960-2	413959-2
OBSOLETE ②	RG-58/U & BELDEN 88240	A	1.73 [.068]	5.41 [.213]	58465-1	-	-	9-221132-0	413774-5	413960-1	413959-1
	FOR USE WITH CABLE	VIEW	CONTACT CRIMP (HEX)	FERRULE CRIMP (HEX)	DIE SET ①	⑤ SPACER QTY=1	④ TUBING, PLASTIC QTY=1	③ FERRULE QTY=1	② CONTACT QTY=1	① PLUG ASSY QTY=1	PART NUMBER

THIS DRAWING IS A CONTROLLED DOCUMENT.

DIMENSIONS: INCHES	TOLERANCES UNLESS OTHERWISE SPECIFIED:	DWN B. WERNER 9-12-90		Tyco Electronics Corporation Harrisburg, Pa 17105-3608
0 PLC ± -	1 PLC ± -	CHK R. E. RUTH 9-28-90		NAME B. WERNER 9-12-90
2 PLC ± -	3 PLC ± 41[.016]	APPD B. WERNER 9-12-90	PRODUCT SPEC	SIZE A1
4 PLC ± -	ANGLES ± -	APPLICATION SPEC	RESTRICTED TO	SCALE 5:1
MATERIAL -	FINISH -	WEIGHT -	00779C=413959	SHEET 1 OF 1
			CUSTOMER DRAWING	REV L1